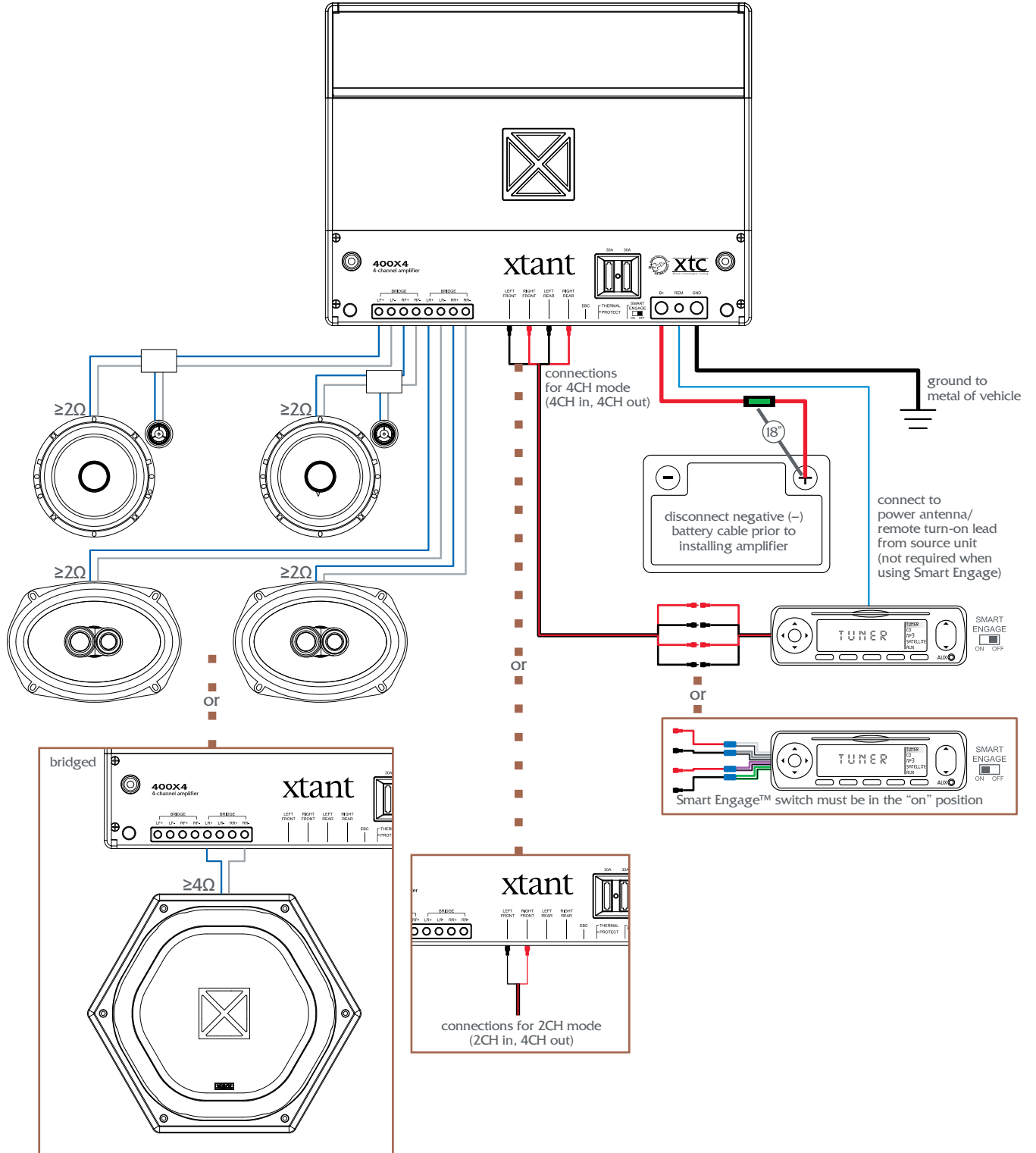


# 400X4

## wiring diagram

precision engineered. technologically advanced. hand selected components.



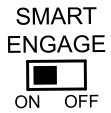
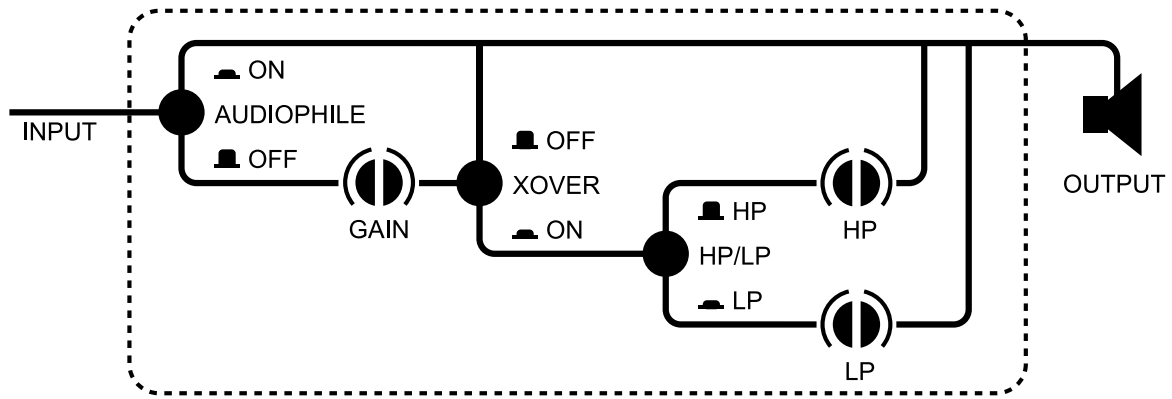
for mixed mono mode or additional configurations see [xtant.com](http://xtant.com)

### xtant warranty statement

xtant amplifiers purchased in the USA from an authorized xtant dealer are guaranteed against defects in material and workmanship for the period of 3 years if installed by an authorized xtant dealer (1 year if by customer). The warranty period begins the day the product is purchased by the end user. This warranty is limited to the original retail purchaser of the product. Product found to be defective during that period will be repaired or replaced by xtant at no charge. This warranty is void if it is determined that unauthorized parties have attempted repairs or alterations of any nature. Warranty does not extend to cosmetics or finish. Before presuming a defect is present in the product, be certain that all related equipment and wiring is functioning properly. xtant disclaims any liability for other incurred damages resulting from product defects. Any expenses in the removal and reinstallation of products are not covered by this warranty. xtant's total liability will not exceed the purchase price of the product. If a defect is present, your authorized xtant dealer may be able to effect repairs.

Proof of purchase is required when requesting service, so please retain your sales receipt, and take a moment to register your product online at [xtant.com](http://xtant.com). Also, a Return Authorization number (RA) is required before shipping product back to xtant, call 800-225-5689 or 602-438-4545, for amplifier RAs.

front & rear



**SMART ENGAGE™**

**ON** is for use with factory/OEM source units or aftermarket equipment that do not provide a remote turn-on connection. Smart Engage senses voltage from the input leads to turn the amplifier on/off. high-to-low level adapters (speaker-to-RCA) are required (not included).

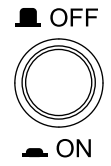
**OFF** is for use with aftermarket source units that provide a remote turn-on connection to turn the amplifier on/off.



**MODE**

**4CH** mode is for use when all 4 RCA inputs are being used. front and rear controls are available and amplifier retains full fader and balance control.

**2CH** mode is for use when only 2 RCA inputs are used. front and rear controls are available, however, amplifier retains balance control only. use front inputs in 2 channel mode.



**AUDIOPHILE**

**AUDIOPHILE**

**OFF** activates the onboard, adjustable amplifier settings.

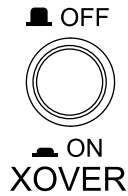
**ON** bypasses all other amplifier settings. for use with external preamps or other crossovers/processors. no further amplifier adjustments can be made, this is the shortest signal path through the amplifier and provides optimum sound quality. 1V input will reach rated output.



**GAIN**

**GAIN\***

adjust **GAIN** to match the amplifier's input sensitivity to the source unit from 5V to .25V.



**XOVER**

**XOVER\***

**OFF** deactivates the amplifier's onboard crossover.

**ON** activates the amplifier's onboard crossover.



**HP/LP**

**HP/LP\***

**HP** selects the high pass crossover mode.  
**LP** selects the low pass crossover mode.



**HP**

when in **HP mode** adjust high pass crossover point between 50Hz and 5000Hz. frequencies below set point will not play. recommended for full-range speakers.



**LP**

when in **LP mode** adjust low pass crossover point between 40Hz and 200Hz. frequencies above set point will not play. recommended for woofers and subwoofers.

\*not available when amplifier is in audiophile mode.